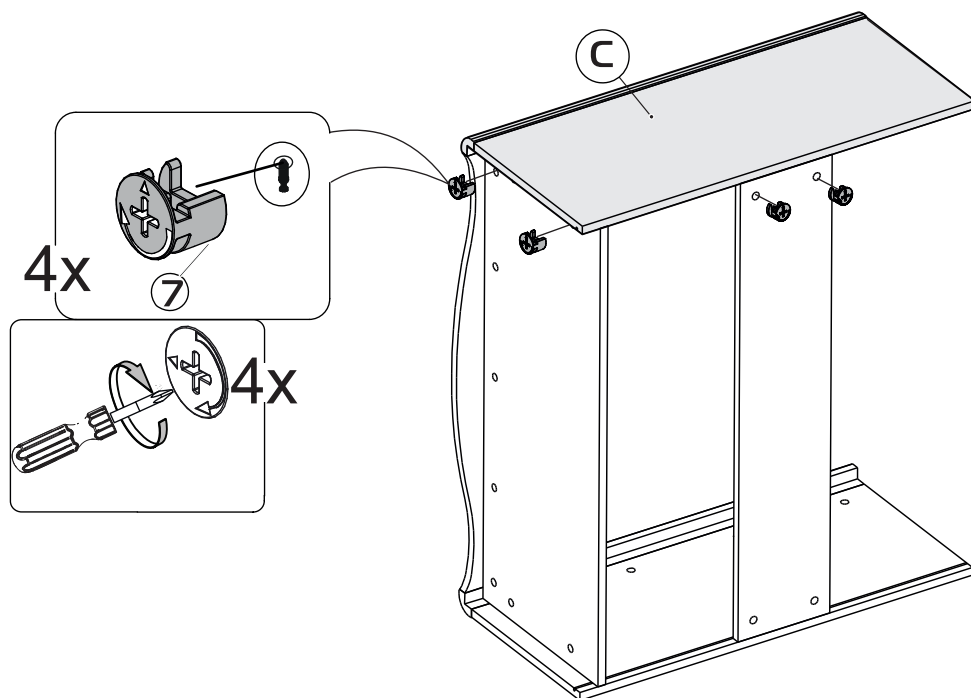
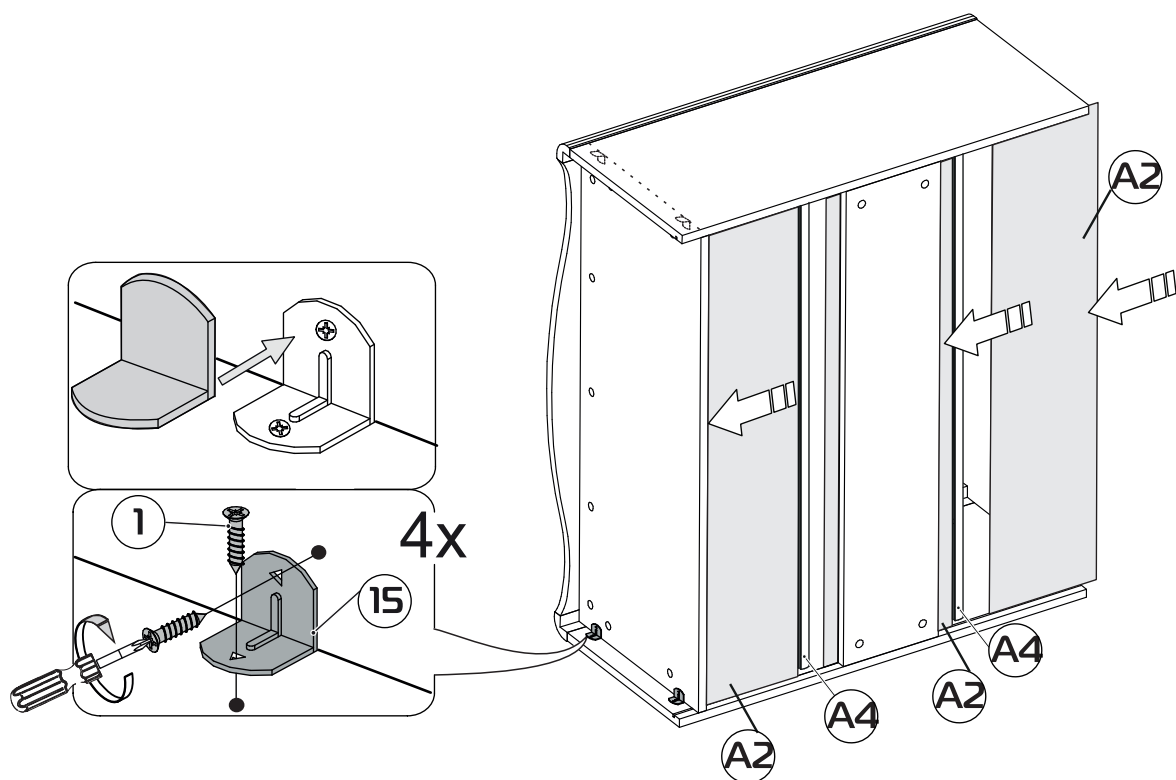


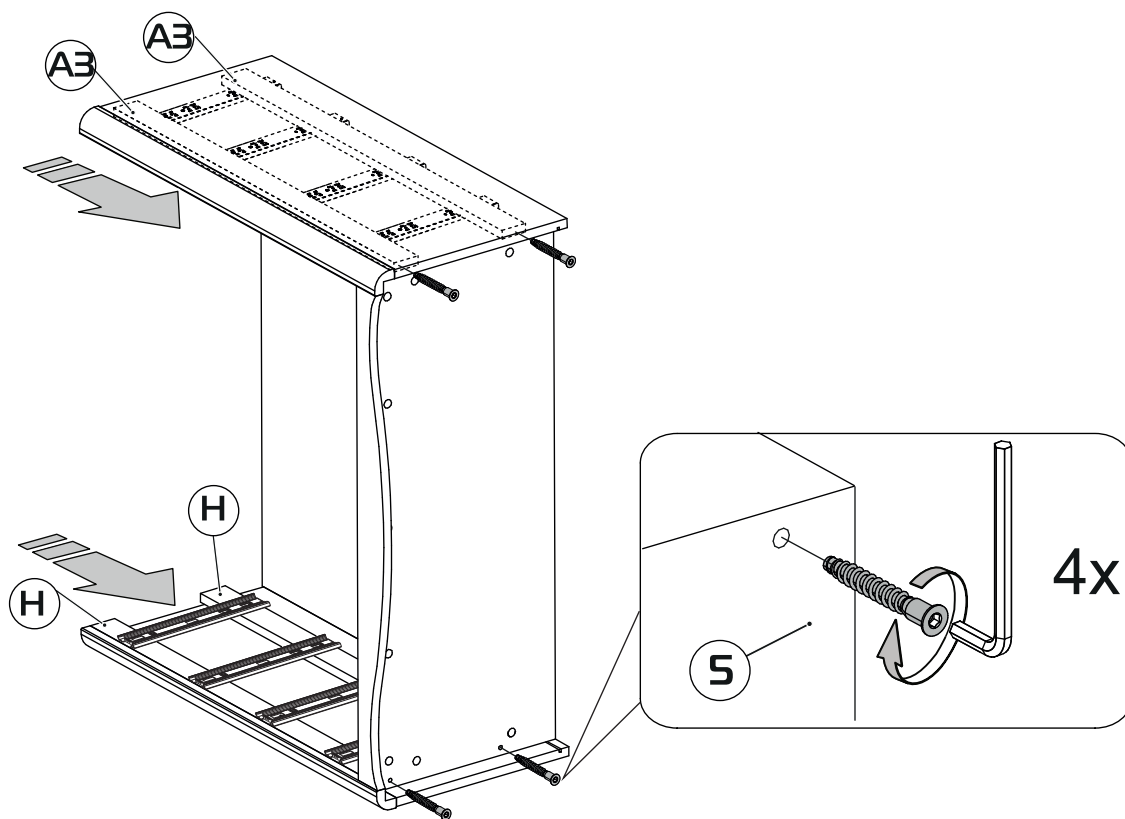
# 9



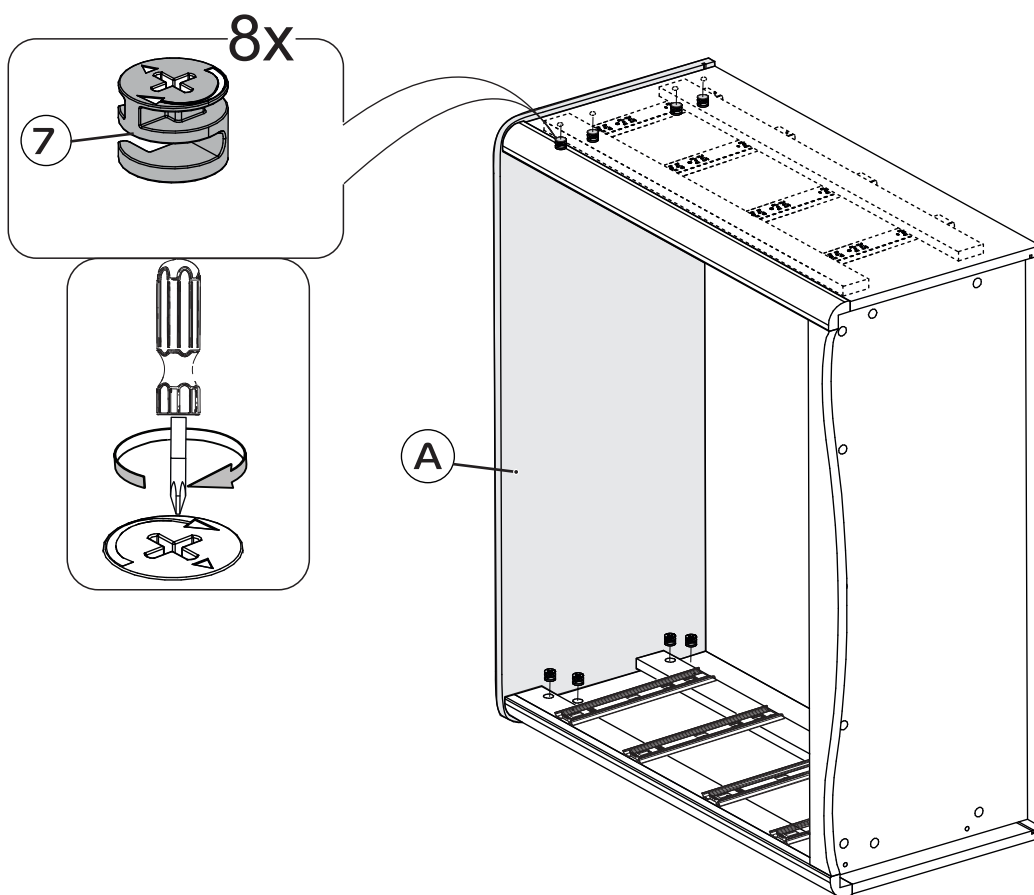
# 10



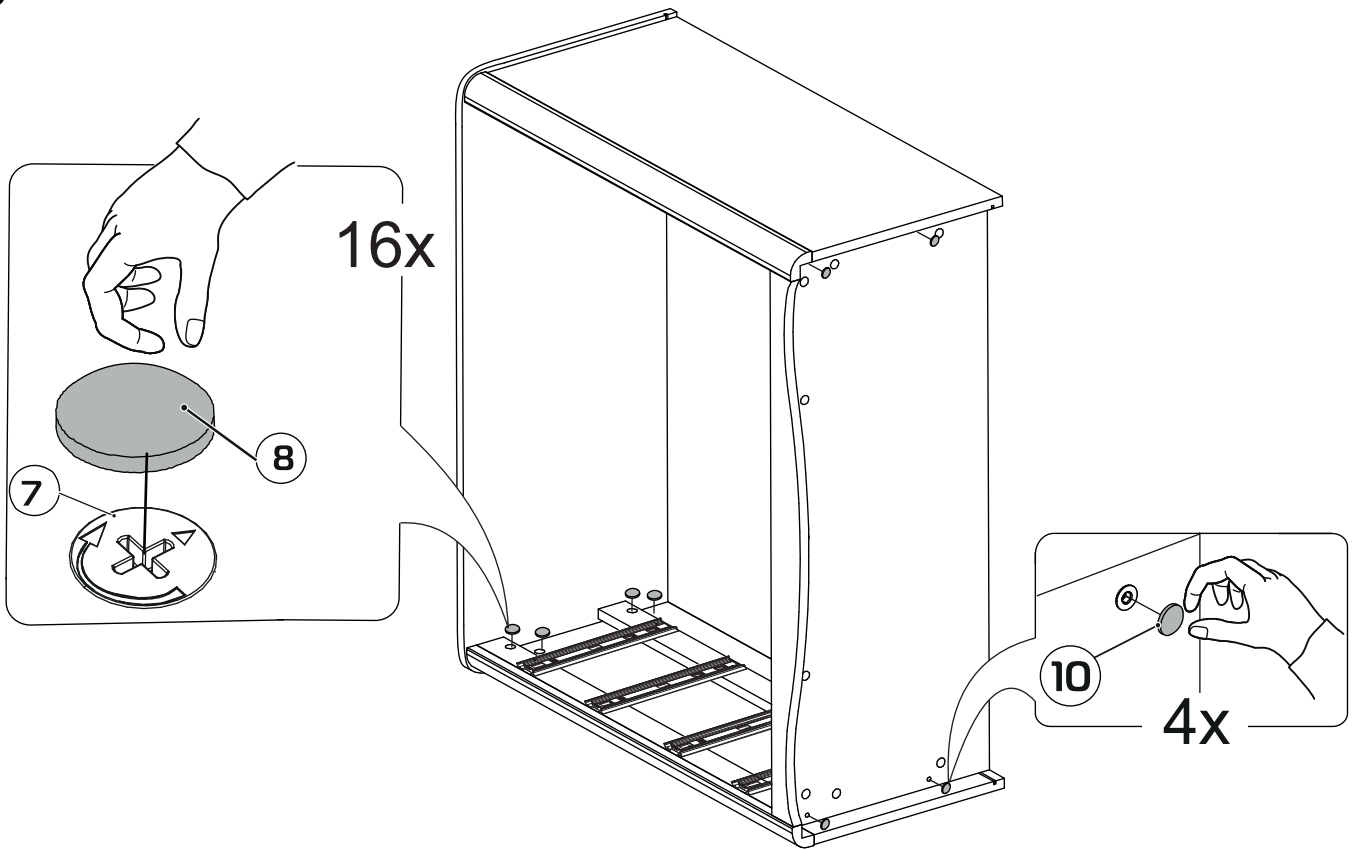
11



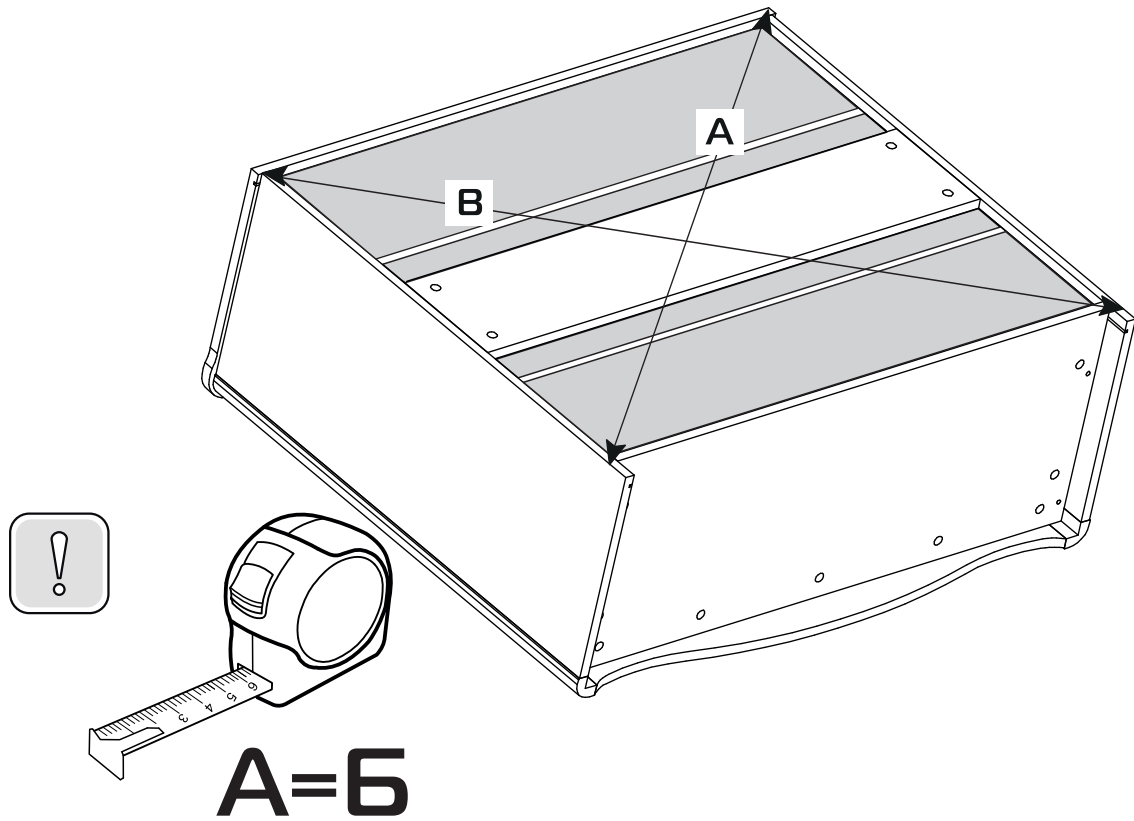
12



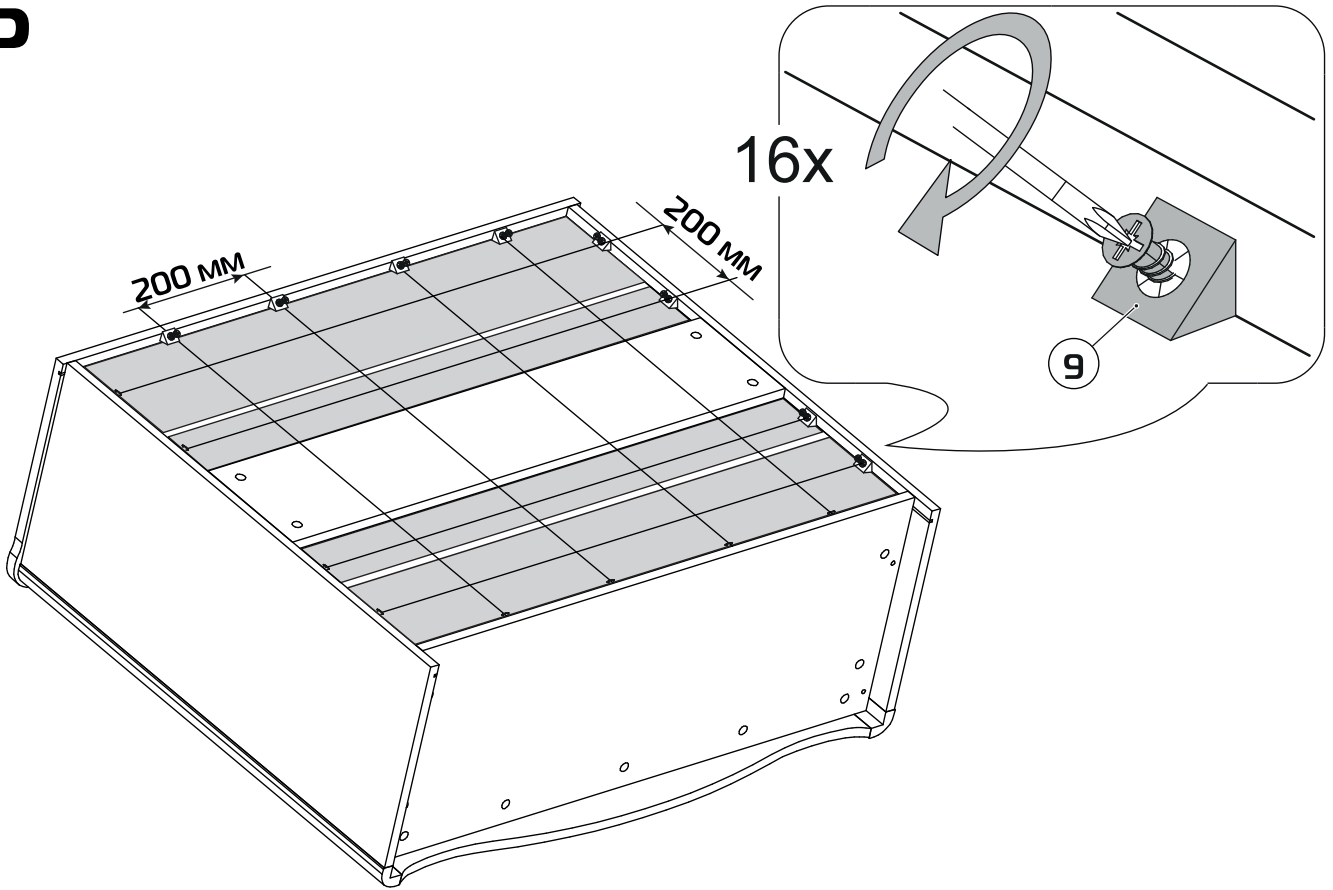
# 13



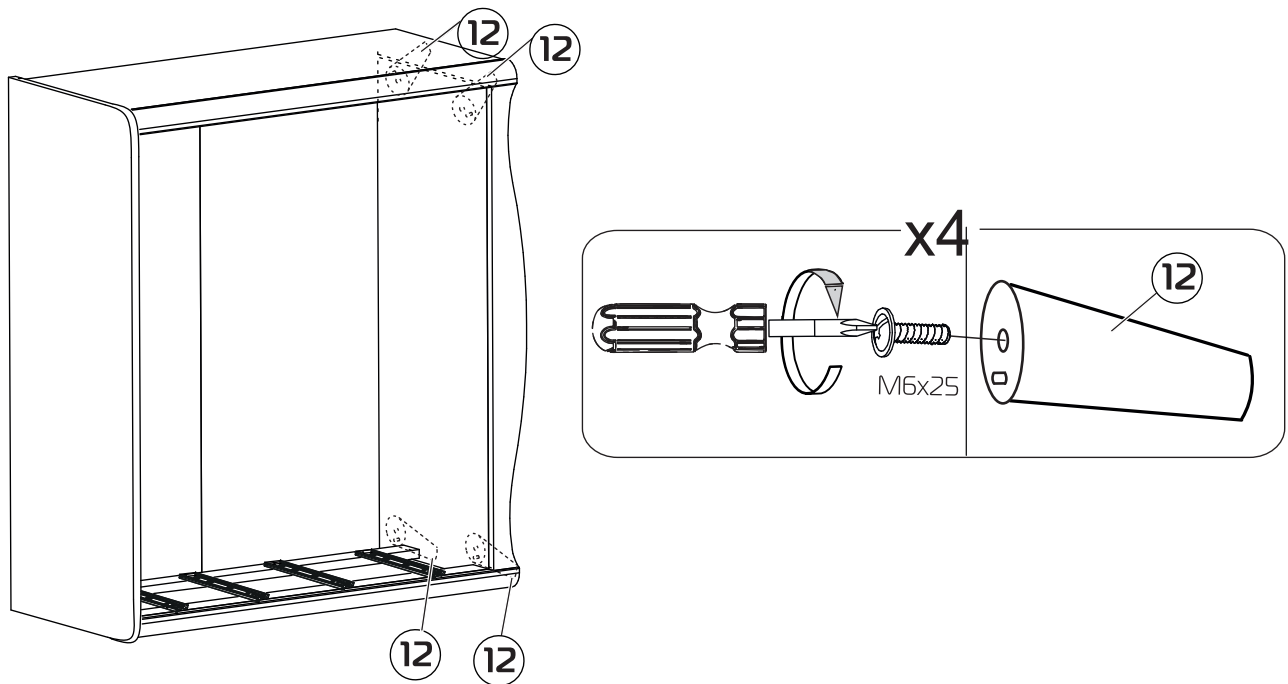
# 14



# 15



# 16



17

16x

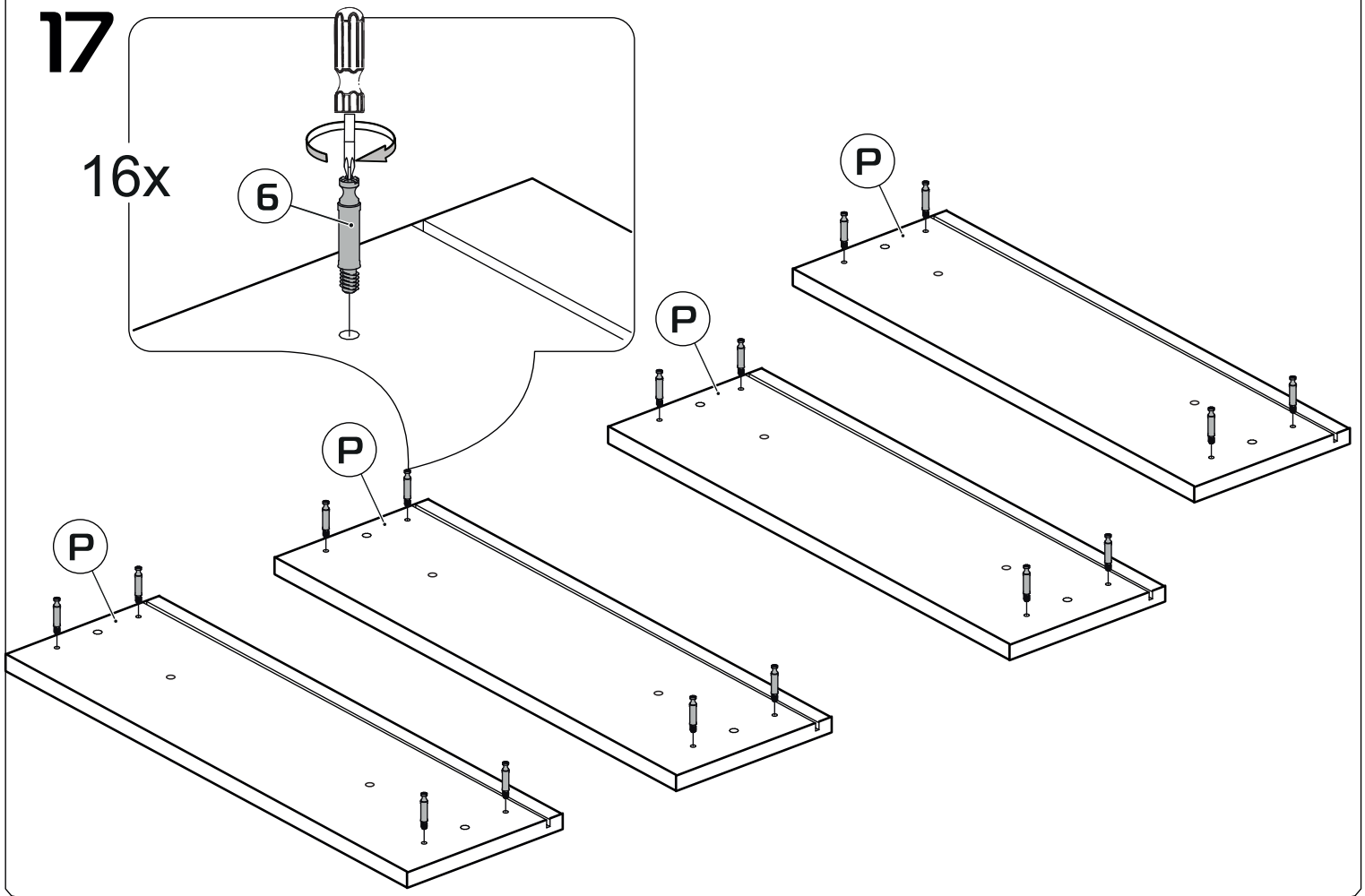
6

P

P

P

P



18

M

M

M

M

1

14

8x

K

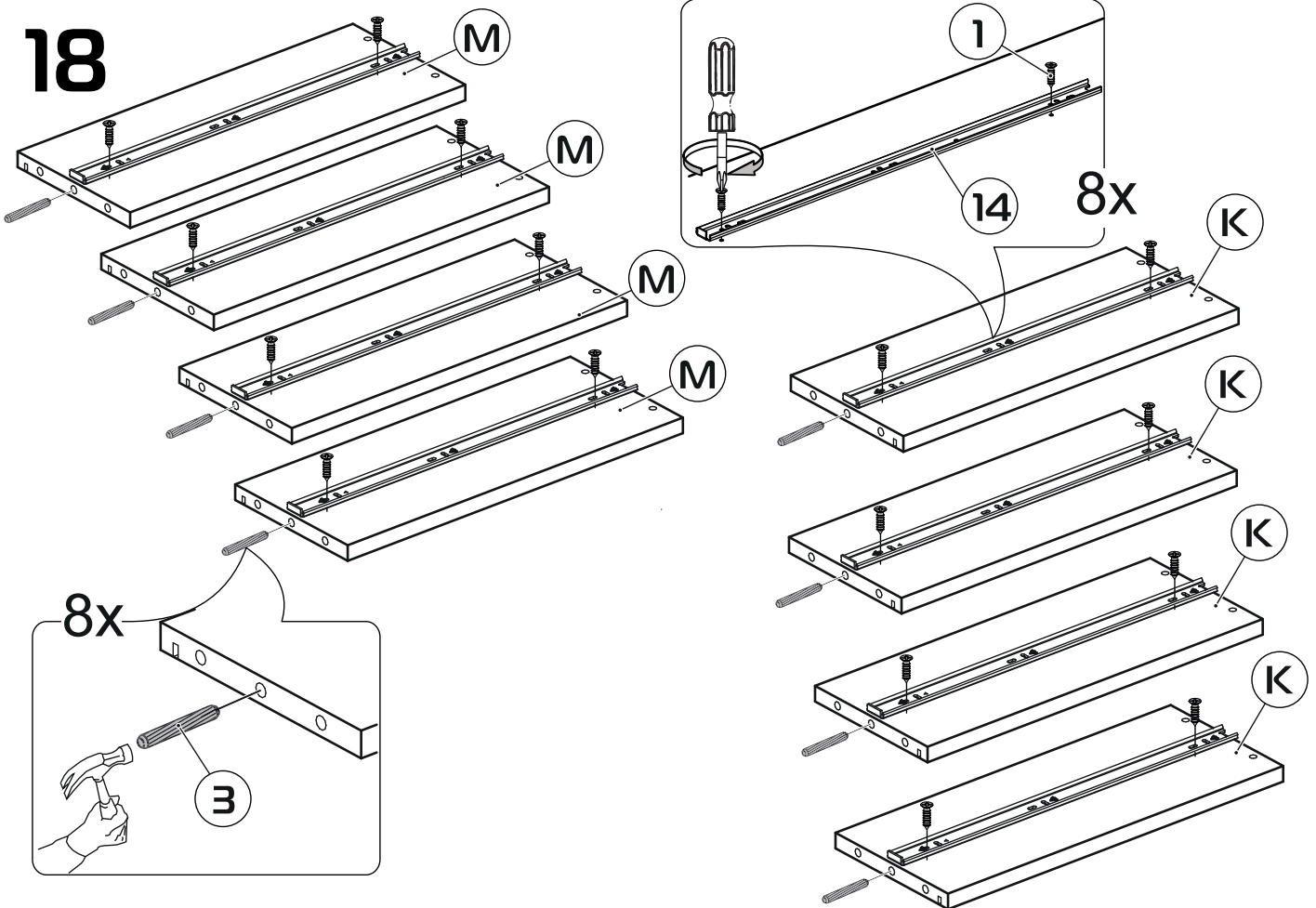
K

K

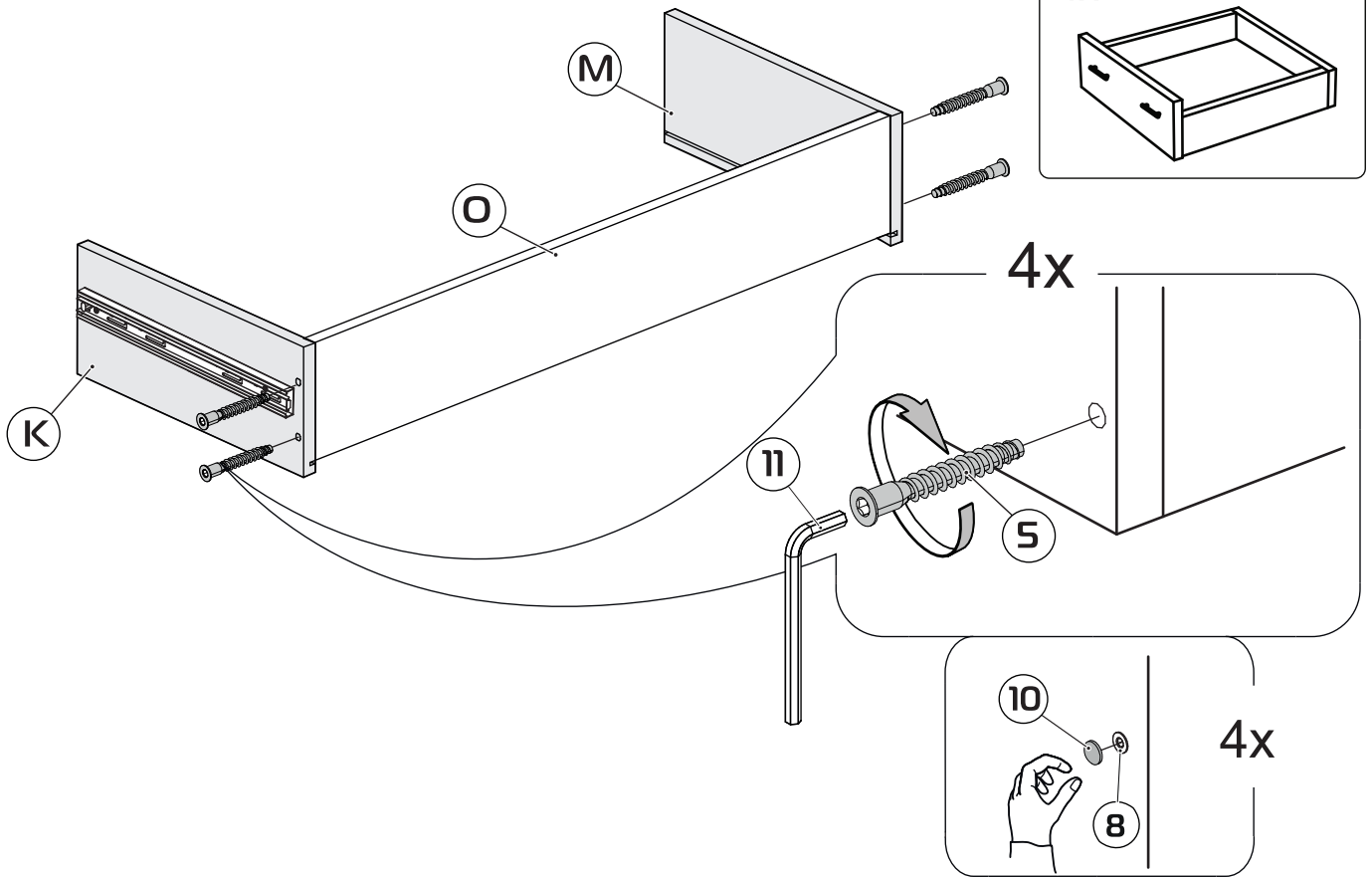
K

8x

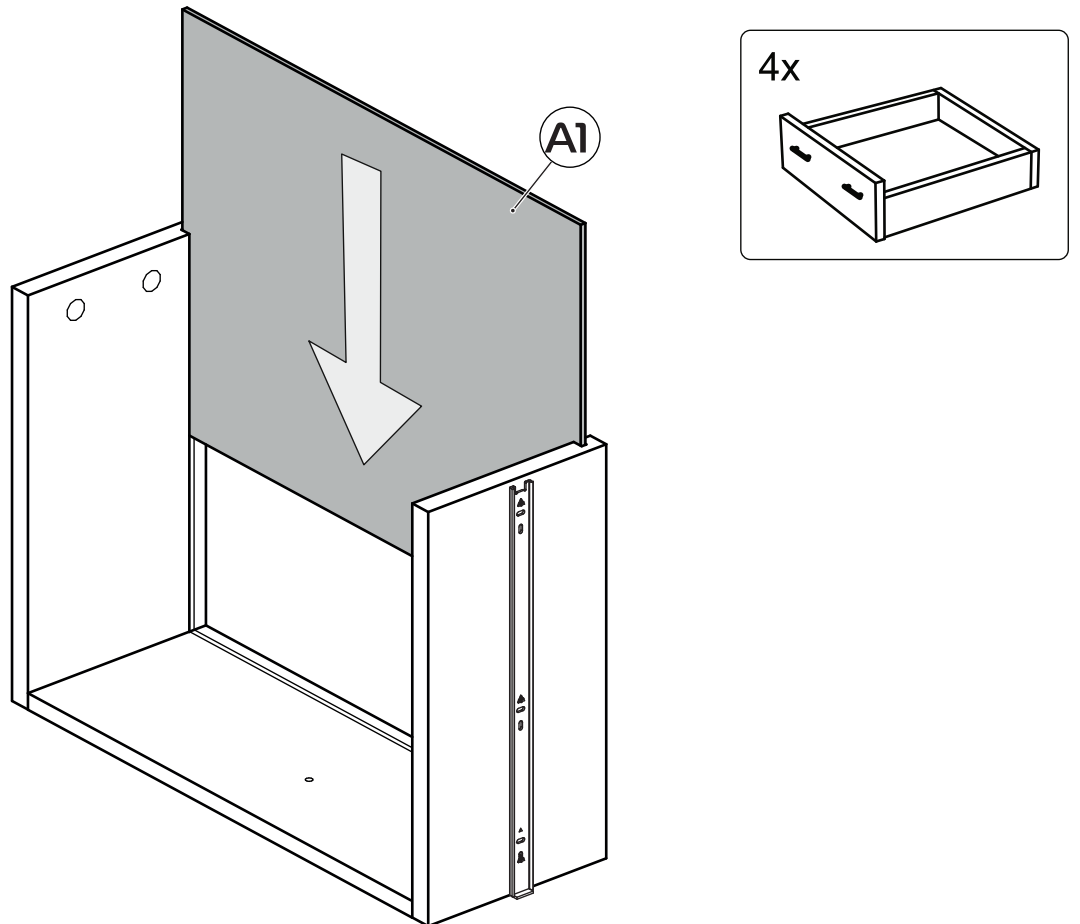
3



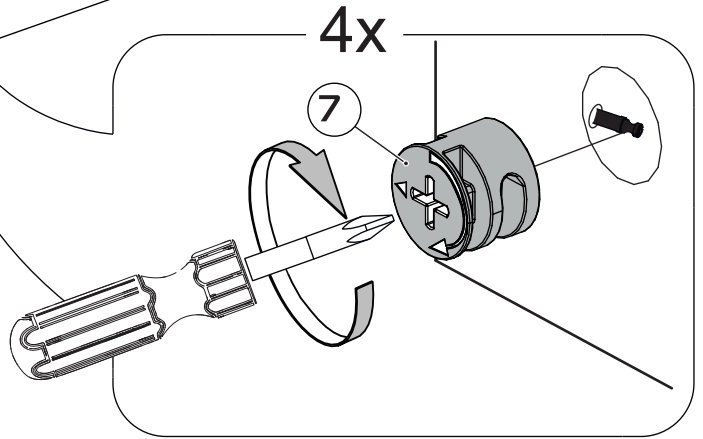
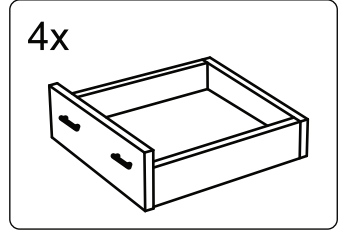
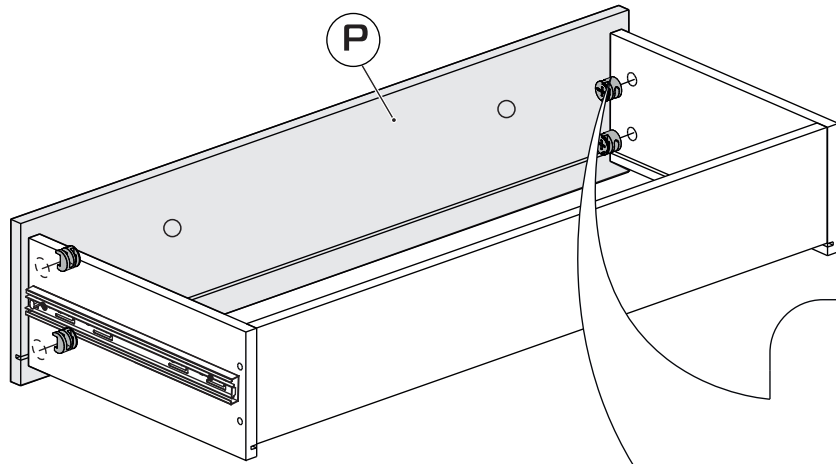
# 19



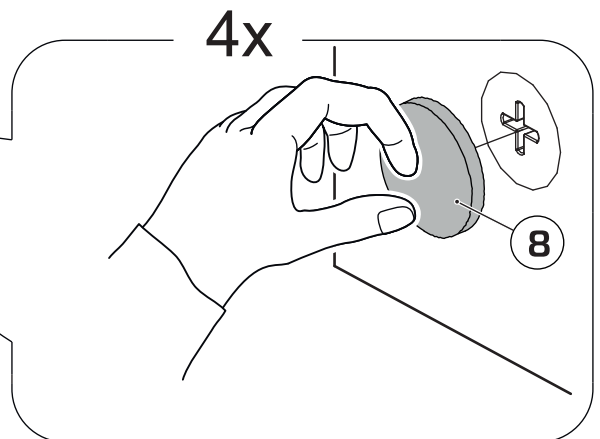
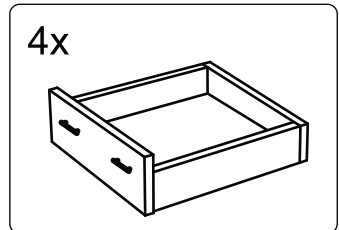
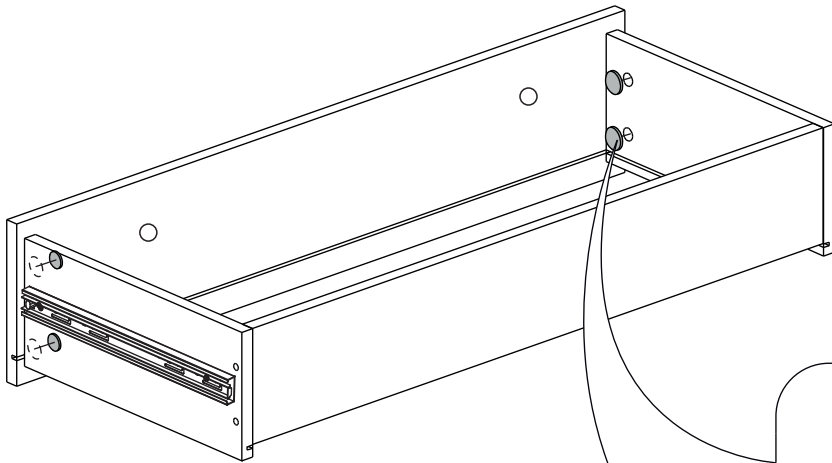
# 20



# 21

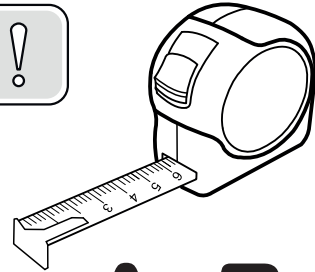
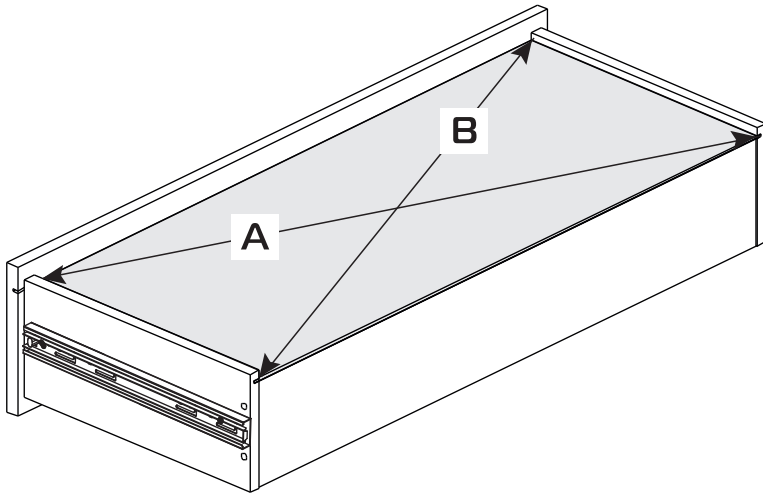
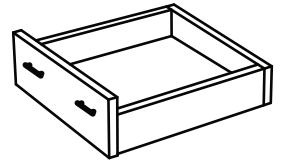


# 22



# 23

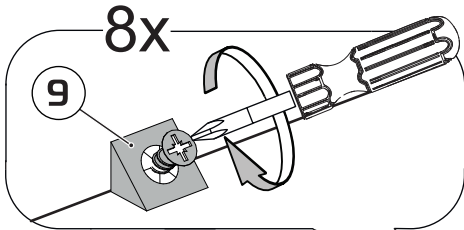
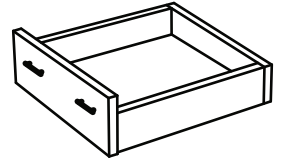
4x



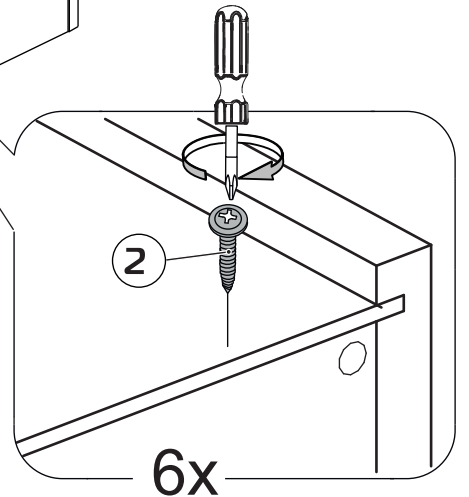
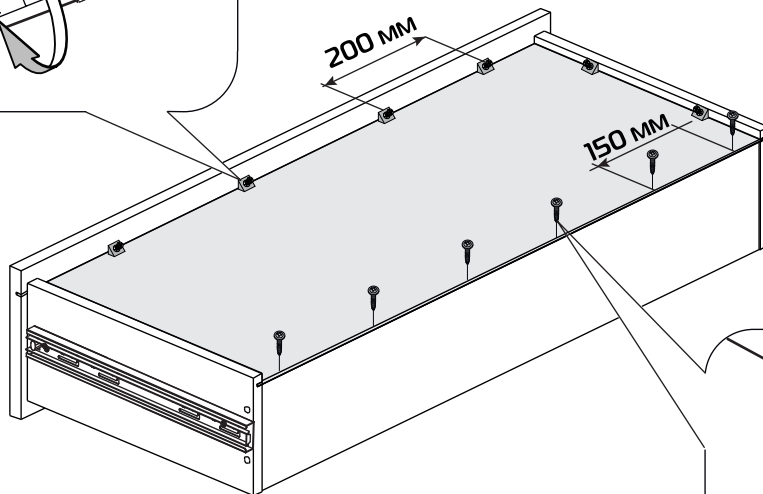
**A=B**

# 24

4x

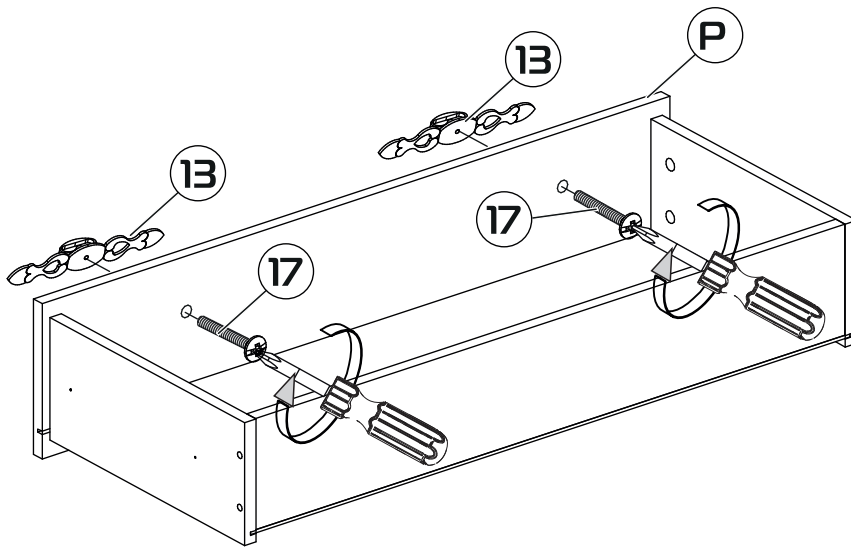
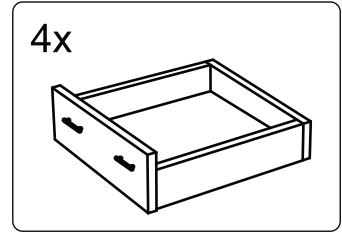


8x

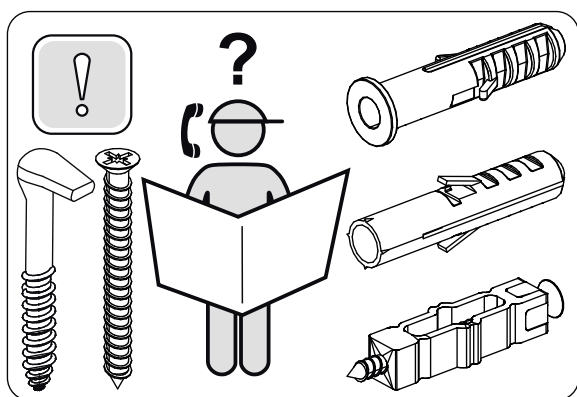
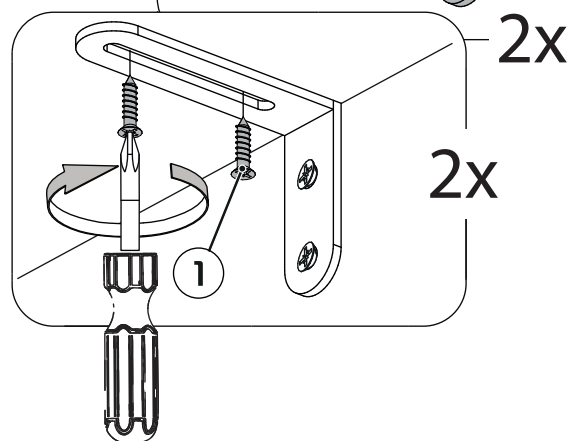
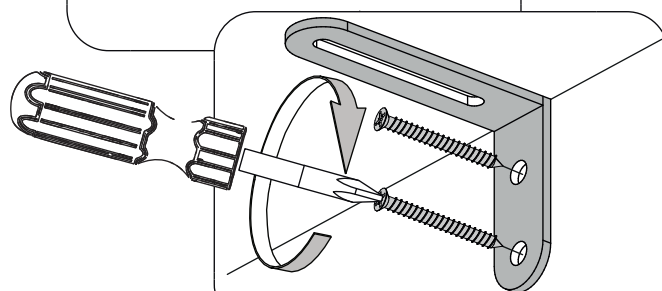
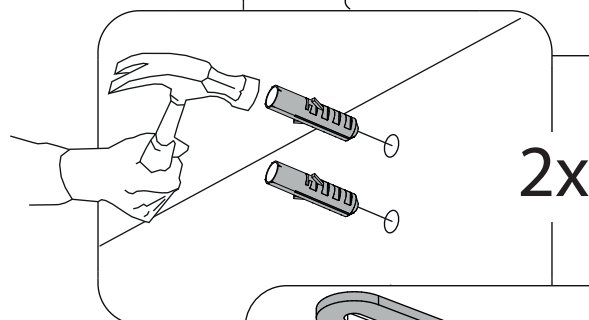
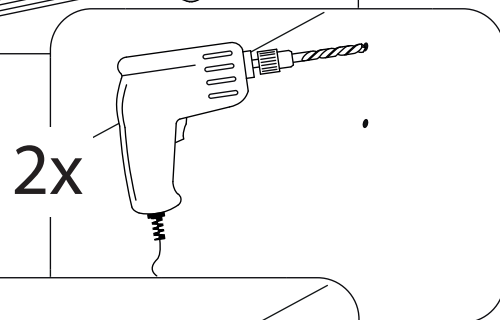
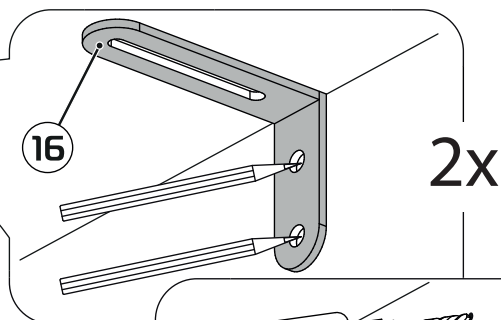


6x





# 26



27

